



INDIAN SCHOOL AL WADI AL KABIR

Class: XI	Department: SCIENCE – 2020-2021 SUBJECT: <u>ENGINEERING GRAPHICS</u>	Date of Completion: 29.11.2020
Worksheet No:7 With Answers	Topic: <u>ISOMETRIC PROJECTION</u>	Note: A4 FILE FORMAT
NAME OF THE STUDENT:	CLASS: XI SECTION:C	ROLL NO:

Questions

1. Draw the isometric projection of square of 60 mm in HP.
2. Draw the isometric projection of an equilateral triangle of 35 mm in VP.
3. Draw the isometric projection of pentagon of 30 mm in HP.
4. Draw the isometric projection of hexagon of 50 mm in VP
5. Draw the isometric projection of a rectangle ABCD having AB = 40 mm and AD = 60 mm, standing on the horizontal plane on one of its sides AB.
6. Draw the isometric projection of circle of 50 mm diameter having its surface parallel to HP.

MULTIPLE CHOICE QUESTIONS

1. The isometric projection of a circle is -----
 - a) Ellipse
 - b) Circle
 - c) Sphere
 - d) None of the above

2. In isometric projection all the three principal axes are inclined at an angle of -----
 - a) 30 degree
 - b) 45 degree
 - c) 120 degree
 - d) 90 degree

3. The angle difference between true scale and isometric scale is -----
 - a) 30 degree
 - b) 15 degree
 - c) 45 degree
 - d) None of the above

4. The isometric length is measured in isometric scale at an angle of -----
 - a) 90 degree
 - b) 45 degree
 - c) 30 degree
 - d) 20 degree

5. The true length is measured in isometric scale at an angle of -----

- a) 15 degree
- b) 90 degree
- c) 45 degree
- d) 30 degree

6. Isometric projection is smaller than actual drawings up to the value -----

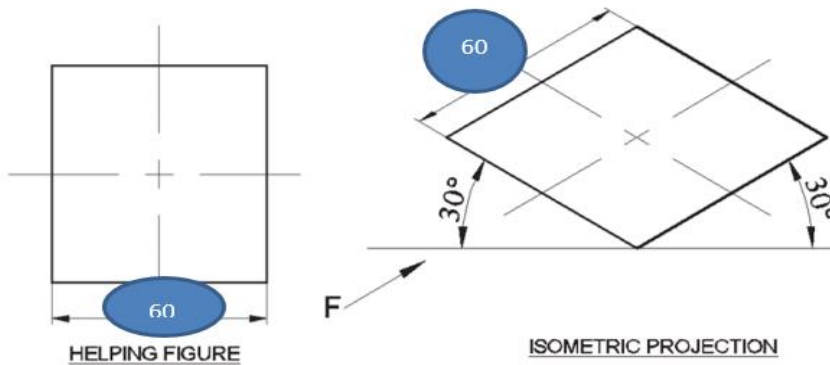
- a) 82 %
- b) 90 %
- c) 75%
- d) None of the above

MULTIPLE CHOICE QUESTIONS

ANSWERS

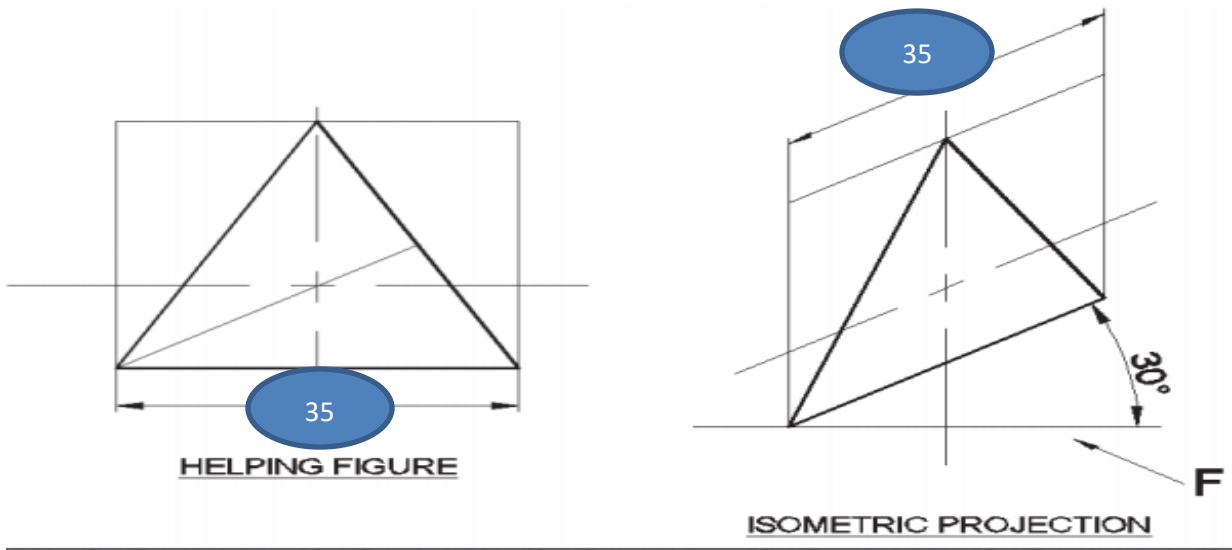
S.NO	ANSWERS
1.	a) Ellipse
2.	c) 120 degree
3.	b) 15 degree
4.	c) 30 degree
5.	c) 45 degree
6.	a) 82%

SOLUTIONS FOR DRAWINGS

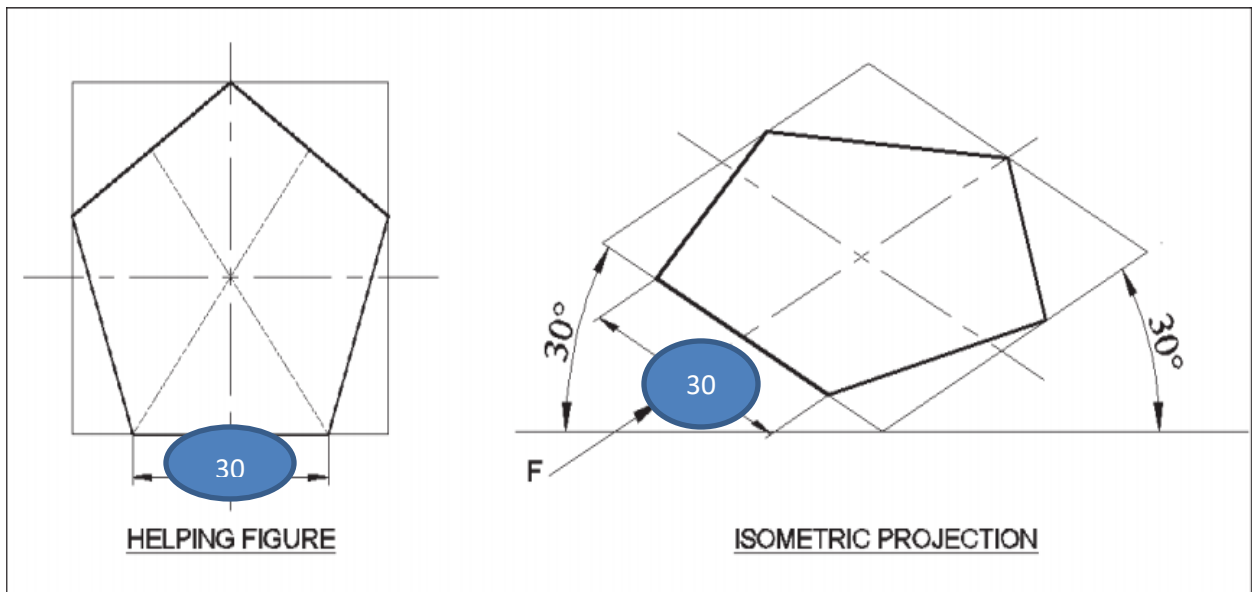


1.

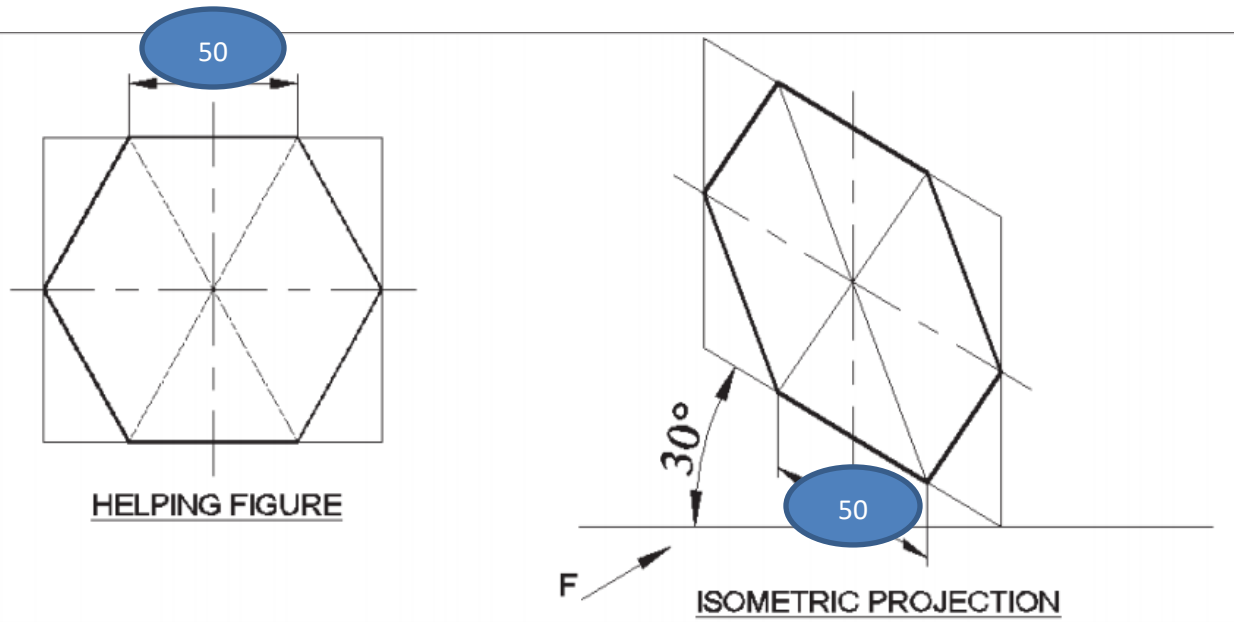
2.



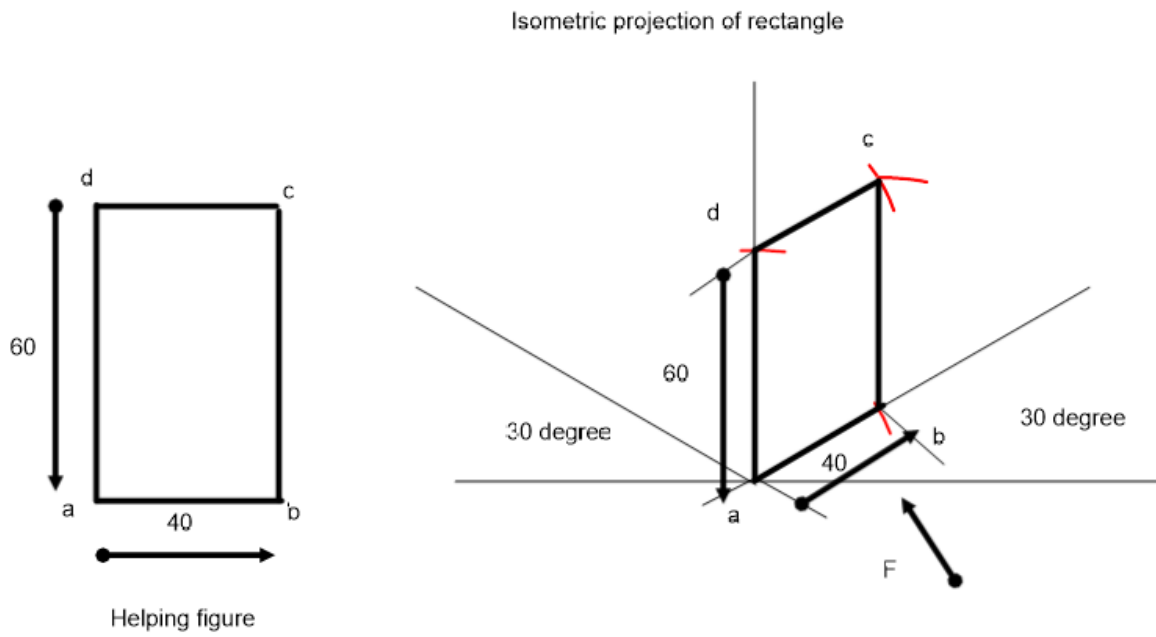
3.



4.

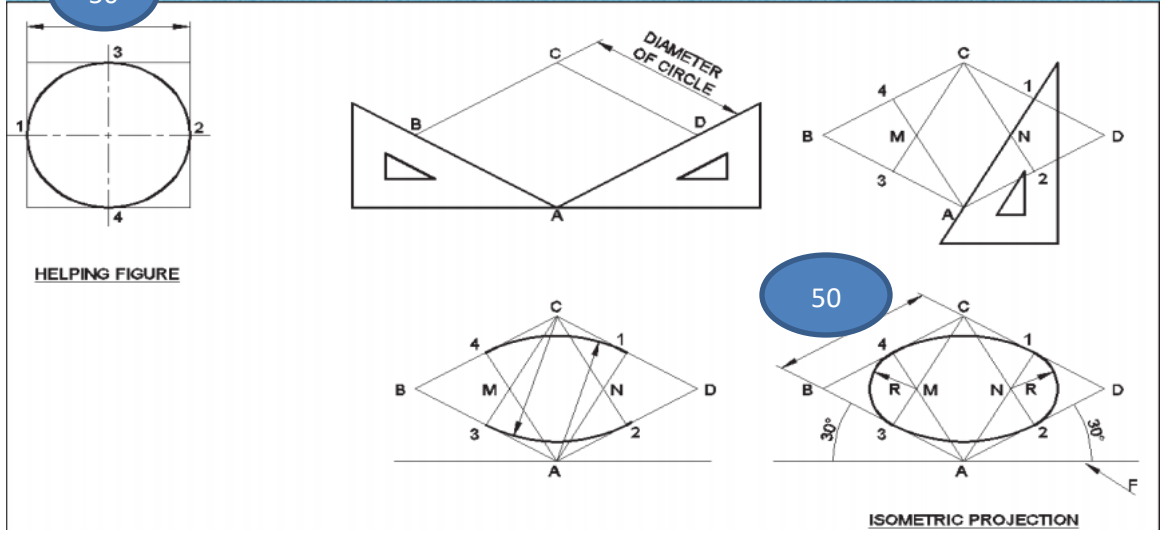


5.



6.

50



50

Prepared by : Mrs.Aiswarya Deepthi.P

Checked by : HOD - SCIENCE