

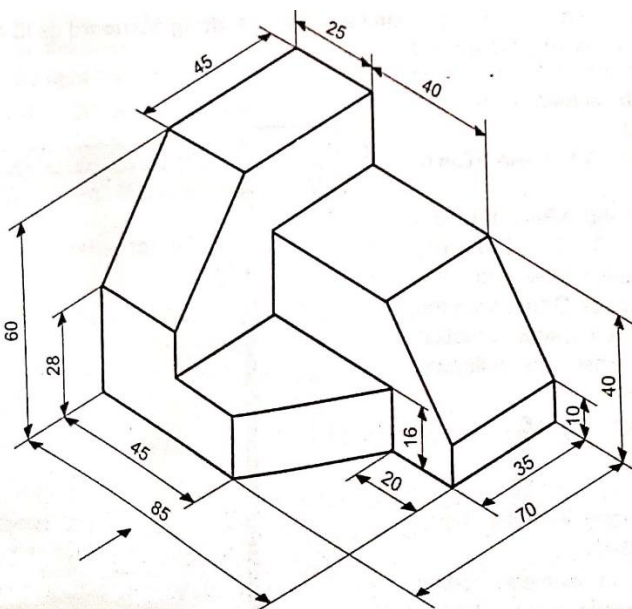


INDIAN SCHOOL AL WADI AL KABIR

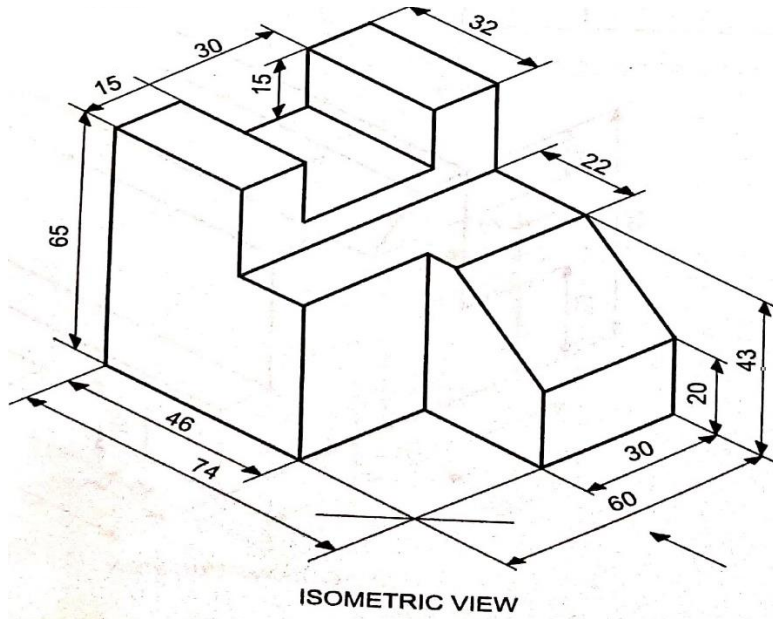
Class: XI	Department: SCIENCE – 2020-2021	Date of Completion: 12.11.20
Worksheet No:6 With Answers	SUBJECT: <u>ENGINEERING GRAPHICS</u>	Note: A4 FILE FORMAT
NAME OF THE STUDENT:	CLASS: XI SECTION:	ROLL NO:

Questions

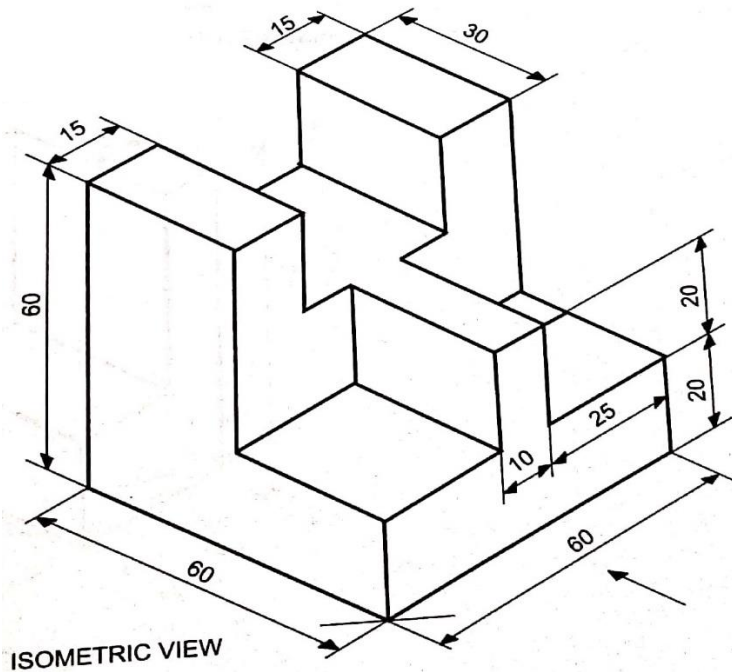
1. Draw to scale 1:1 the front view, top view and side view of the given machine block.



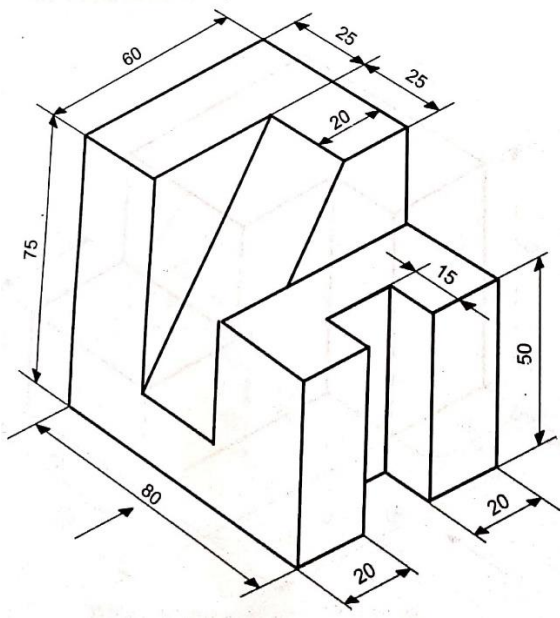
2. Draw to scale 1:1 the front view, top view and side view of the given machine block.



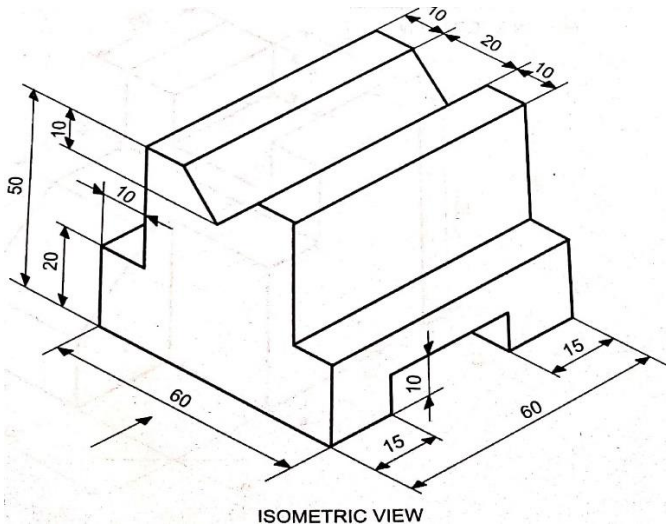
3. Draw to scale 1:1 the front view, top view and side view of the given machine block.



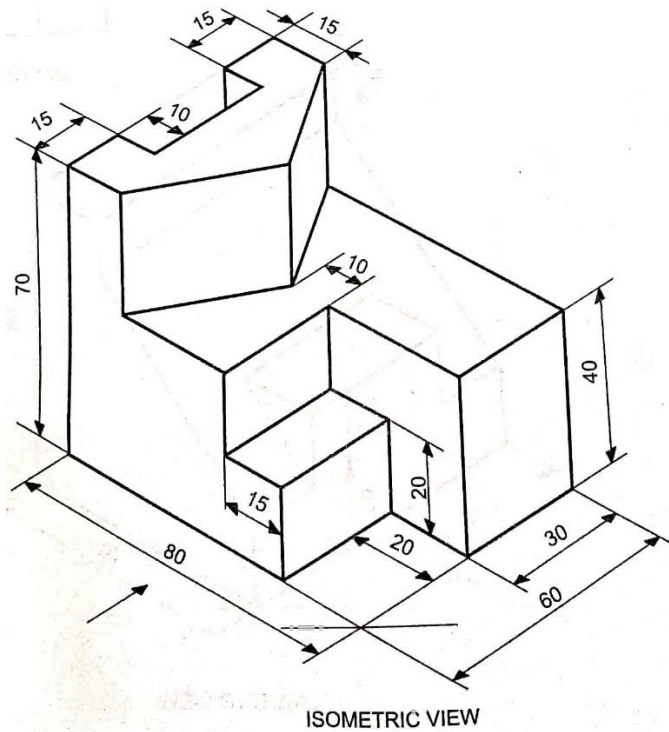
4. Draw to scale 1:1 the front view, top view and side view of the given machine block.



5. Draw to scale 1:1 the front view, top view and side view of the given machine block.



6. Draw to scale 1:1 the front view, top view and side view of the given machine block.



MULTIPLE CHOICE QUESTIONS

1. According to first angle method of projection , the left side view should be at?
- a) Front side
 - b) Left side of front view
 - c) Right side of front view
 - d) Left side of top view

2. Identify the two dimensional view from the following ?

- a) Isometric
- b) Orthographic
- c) Perspective
- d) Oblique

3. The three dimensional drawing with true scale is called as -----

- a) Isometric Projection
- b) Isometric view
- c) Orthographic projection
- d) None of the above

4. Explaining an object with two or more views is called as ?

- a) Orthographic projection
- b) Isometric projection
- c) Axonometric projection
- d) Perspective projection

5. In first angle method of projection the top view should be ?

- a) Above the front view
- b) Left side of front view
- c) Right side of front view
- d) Below the front view

MULTIPLE CHOICE QUESTIONS

ANSWERS

1.c) Right side of front view

2.b) Orthographic

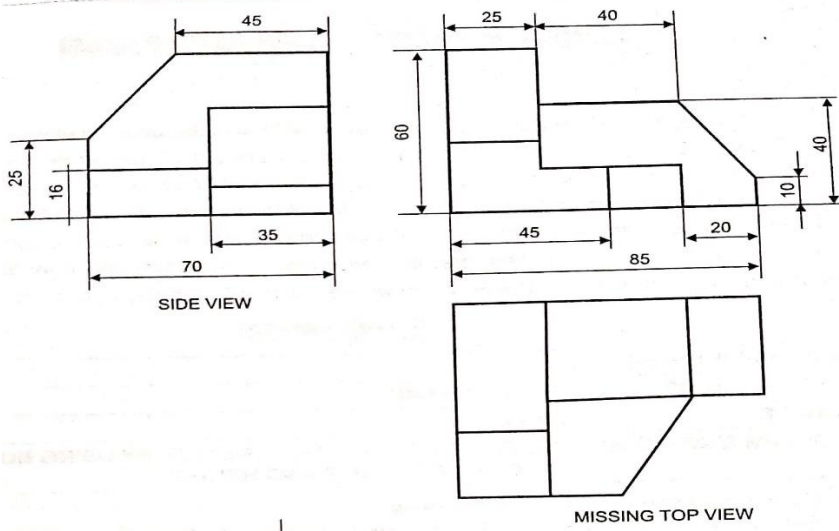
3.b) Isometric view

4.a) Orthographic projection

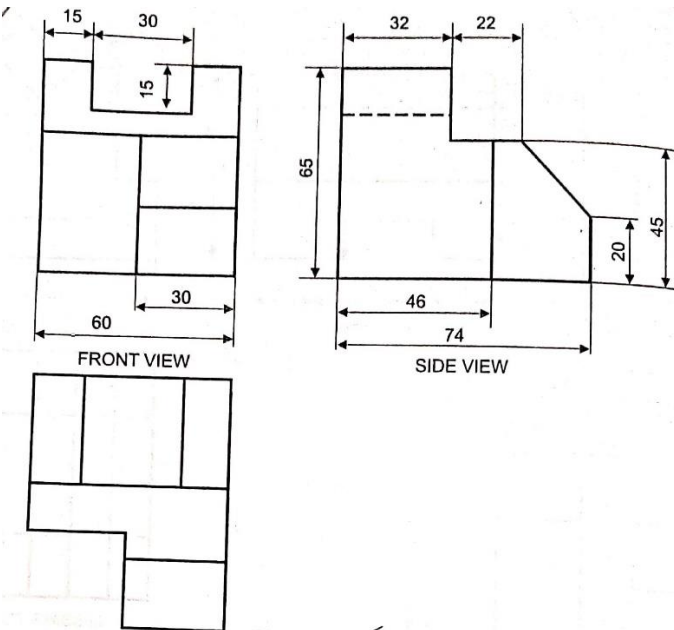
5.d) Below the front view

SOLUTIONS FOR DRAWINGS

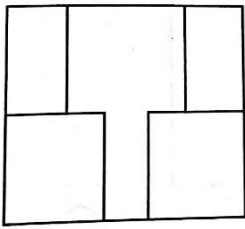
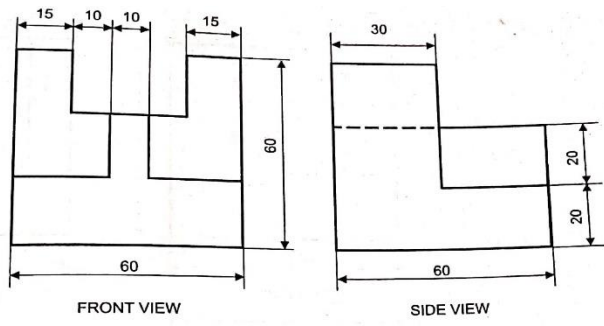
1.



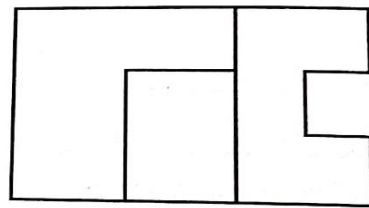
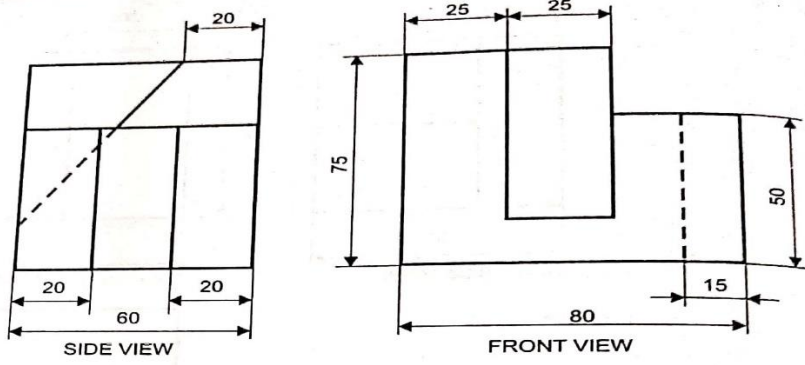
2.



3.

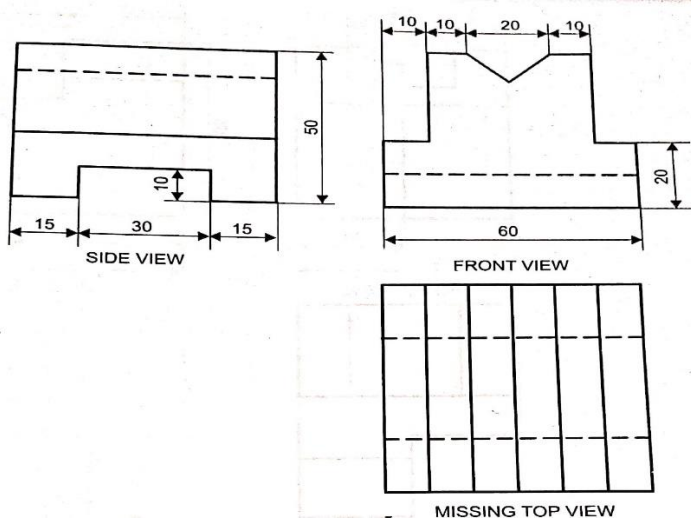


4.

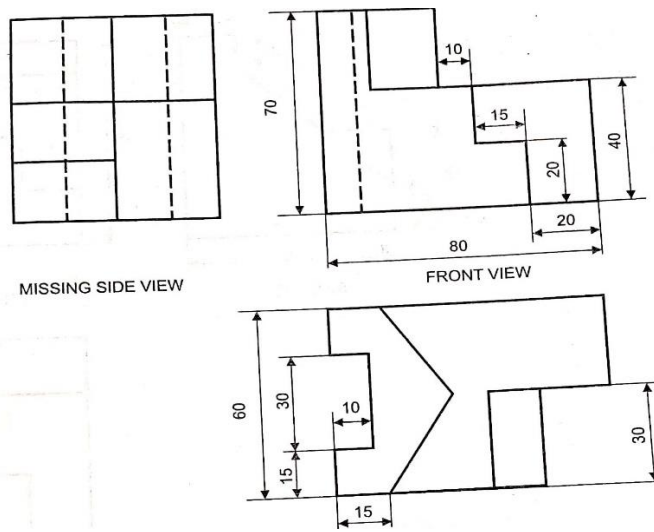


MISSING TOP VIEW

5.



6.



Prepared by: Mrs. Aiswarya Deepthi.P

CHECKED BY : HOD - SCIENCE