



INDIAN SCHOOL AL WADI AL KABIR

CLASS: VI	DEPARTMENT: SCIENCE 2020 - 2021	DATE : 16.09.2020
TEXTBOOK Q & A	TOPIC: AIR AROUND US	NOTE: A4 FILE FORMAT
NAME OF THE STUDENT:	CLASS & SEC:	ROLL NO.

1. What is the composition of air?

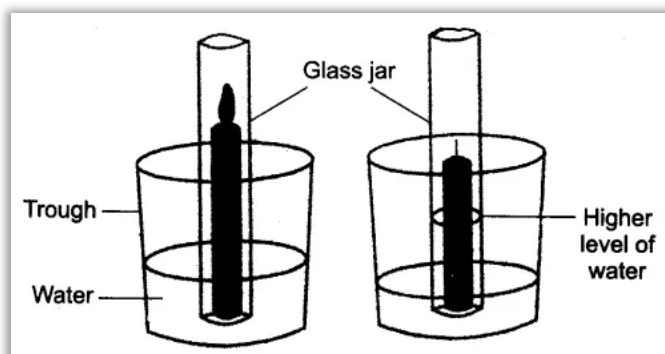
Ans - Air is mixture of nitrogen, oxygen, carbon dioxide, water vapour and a few other gases. Some dust particles may also be present in it.

2. Which gas in the atmosphere is essential for respiration?

Ans - Oxygen.

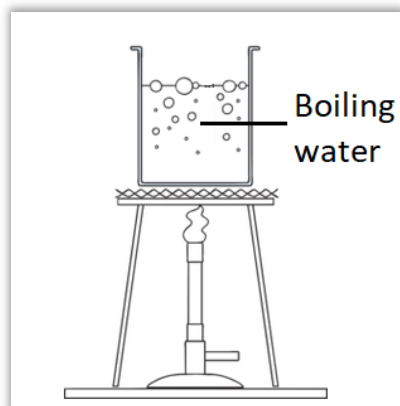
3. How will you show that air supports burning?

Ans - Take a small burning candle. Cover the burning candle with a glass jar. After few minutes the candle is extinguished. As the supply of air is stopped due to glass jar the burning of candle is also stopped. This experiment proves that air supports burning.



4. How will you show that air is dissolved in water?

Ans - Take some water in a glass vessel or beaker. Heat it slowly on a tripod stand. Before the water begins to boil, look carefully at the inner surface of the vessel. You will see tiny bubbles on the inside. On heating, air dissolved in water escapes in the form of these bubbles.



5. Why does a lump of cotton wool shrink in water?

Ans - The lump of cotton has air trapped between the fibres, the trapped air escapes when cotton is soaked in water and water replaces the space which was previously occupied by the air.

6. The layer of air around the earth is known as.....

Ans - Atmosphere.

7. The component of air used by green plants to make their food, is.....

Ans - Carbon dioxide.

8. List five activities that are possible due to presence of air.

Ans - Photosynthesis, transpiration, respiration, burning of fuels and movement of sailing yachts, parachutes, aeroplane etc.

9. How do plants and animals help each other in exchange of gases in the atmosphere?

Ans - Plants and animals help each other in the exchange of gases in the atmosphere. Plants take carbon dioxide to prepare food and release oxygen during daytime. This oxygen is taken in by the animals and carbon dioxide is released during respiration. Thus, plants and animals help in maintaining balance of oxygen and carbon dioxide.

Prepared by : Mr. VIKRANT V. PURANDARE	Checked by : HOD - SCIENCE
---	----------------------------