

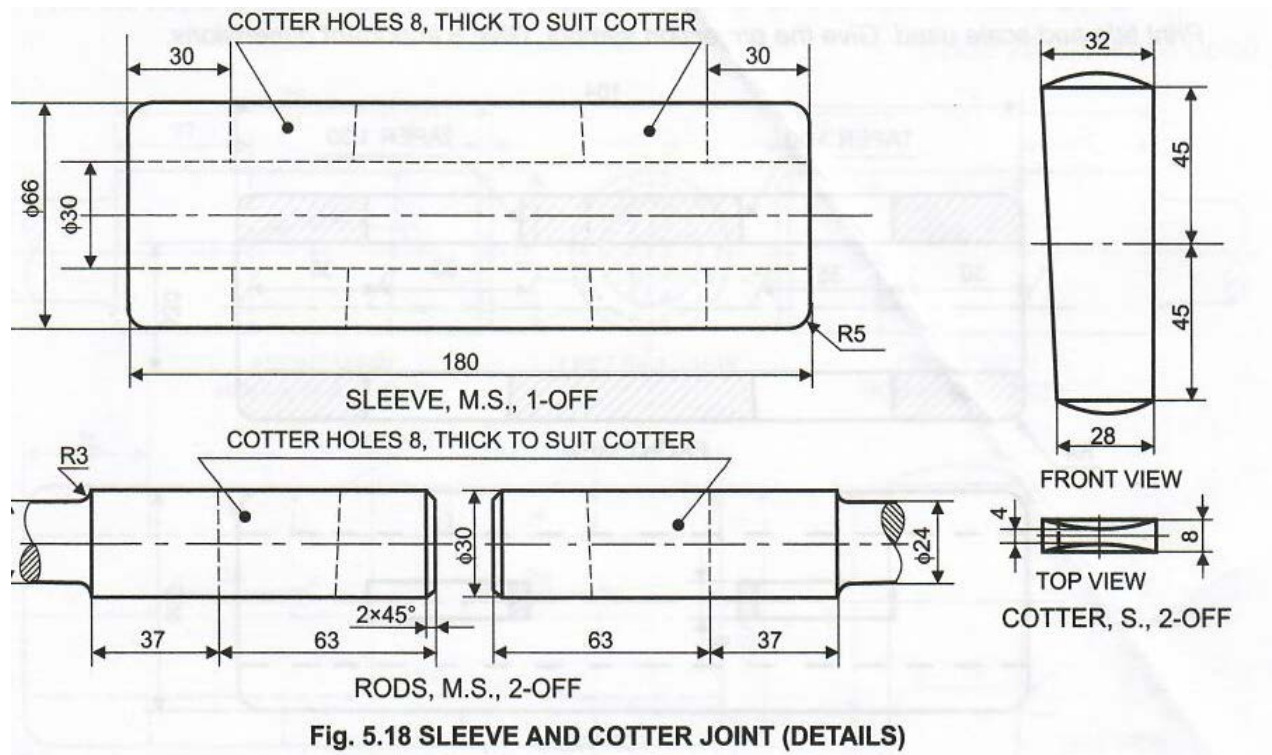


Class: XII	Department: SCIENCE – 2020-2021	Date of Completion: 17.09.20	
Worksheet No:4 With Answers	Subject: <u>ENGINEERING GRAPHICS</u>	Note: A4 FILE FORMAT	
NAME OF THE STUDENT:	CLASS: XII	SECTION:	ROLL NO:

Questions

1. The figure shows the details of the parts of a Sleeve and Cotter joint. Assemble these parts correctly and then draw the following views to scale 1:1.

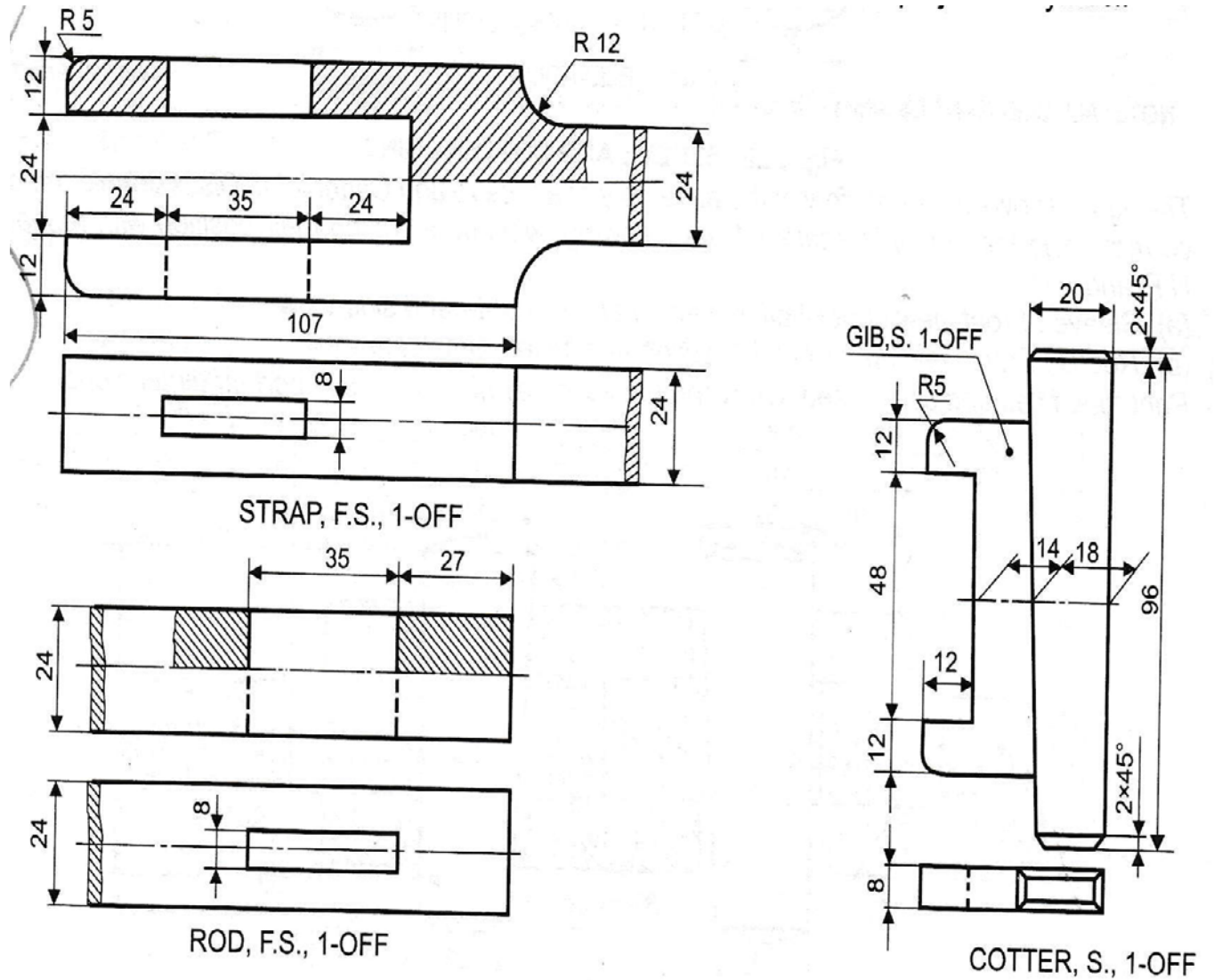
- (a) Front view upper half in section,
- (b) Left hand side view
- (c) Print title, scale used and give all dimensions.



2. The figure below shows the detail of a Gib and cotter joint for square rods. Assemble the parts correctly and draw the following views of the assembly to scale 1:1.

- a) Top half sectional front view
- b) Top view
- c) Left hand side view

Write heading and scale used. Give 8 leading dimensions, also draw projection symbol.



MULTIPLE CHOICE QUESTIONS

1. Which joint is used for rods of square cross section?

- a) Knuckle joint
- b) bushed bearing
- c) socket and spigot joint
- d) gib and cotter joint

2. Gib is always provided in conjunction with :

- a) key
- b) cotter
- c) bolt
- d) Rivet

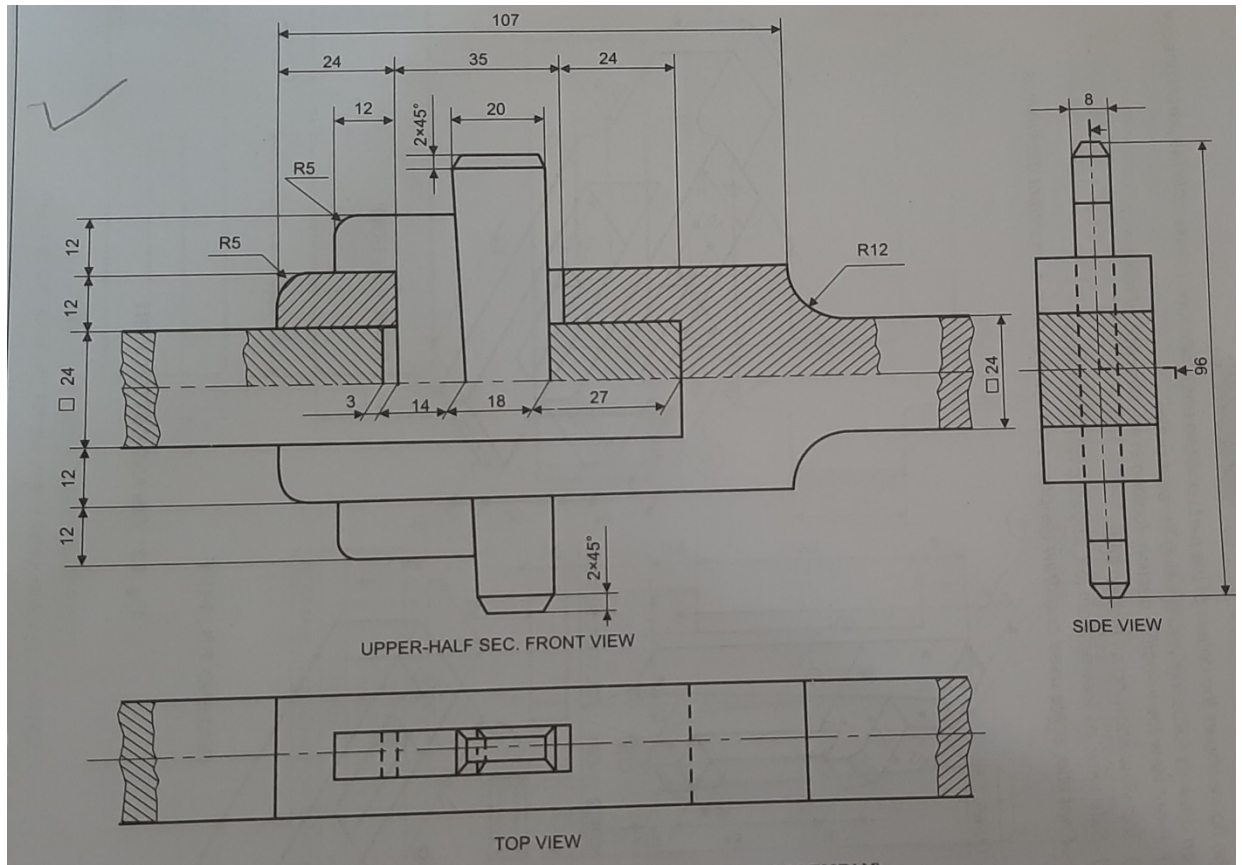
3. How much taper is generally used in the width of a cotter

- a) 1:3
- b) 1:10
- c) 1:30
- d) 1:50

4. Gib is provided towards which end of fork in a cotter joint

- a) broken end
- b) upper end
- c) lower end
- d) open end

2. Gib and Cotter joint Assembly



Prepared by,

Mrs.Aiswarya Deepthi.P

Checked by : HOD - SCIENCE